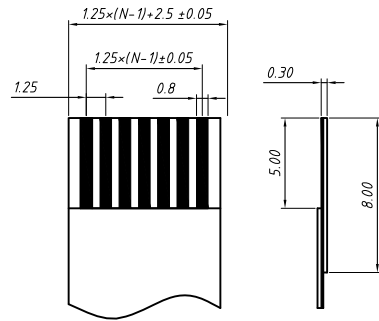
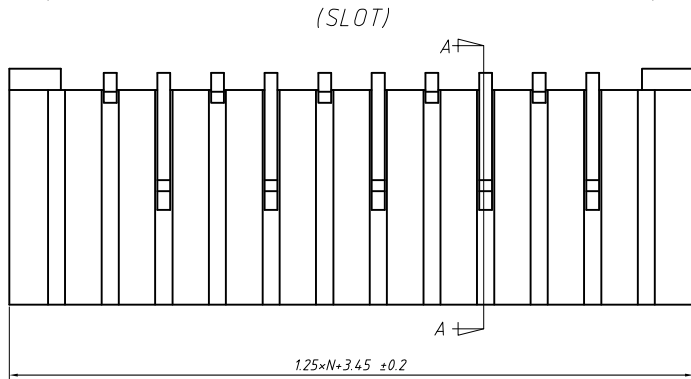
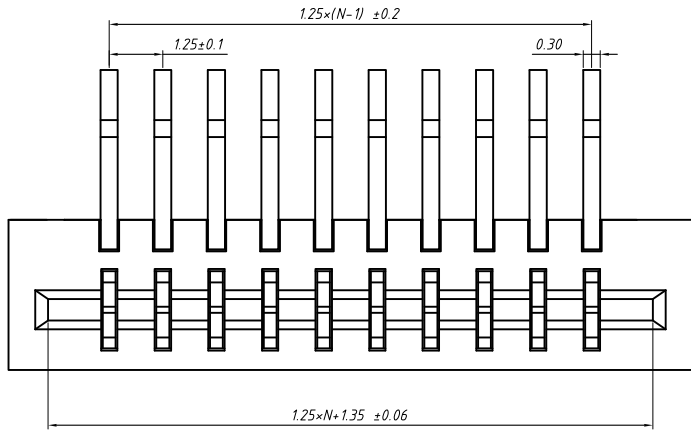
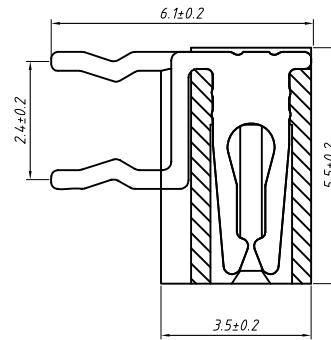


RoHS Compliant



Proper Cable

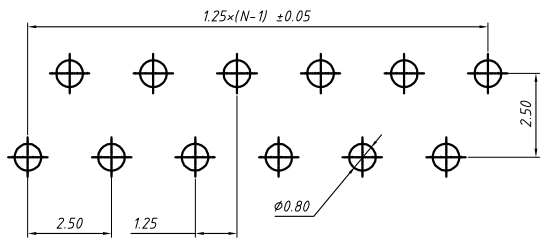
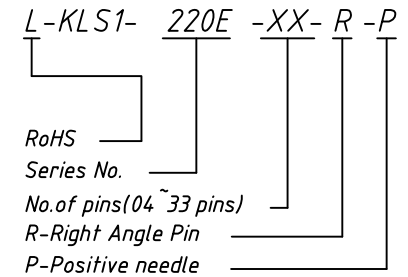


Material
Housing: LCP, UL94V-0
Contact: Phosphor Bronze, Tin Plated

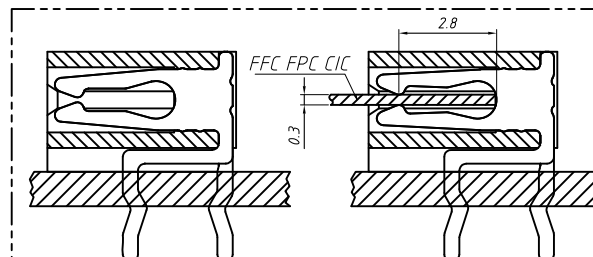
Electrical
Voltage rating: 50 V
Current rating: 0.5 A
Withstanding Voltage: 250 V
Insulation resistance: 50 MΩ.Min.
Contact resistance: 20 mΩ.max.

Mechanical
Temp. Range: -25 °C ~ +85 °C

Order Information



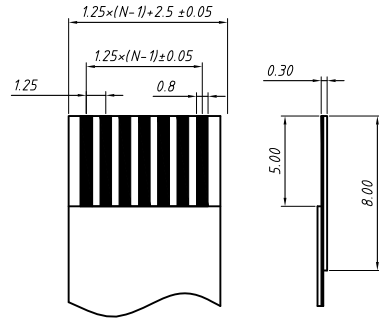
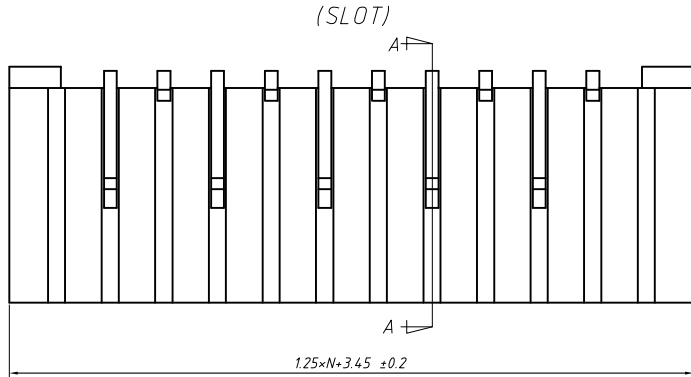
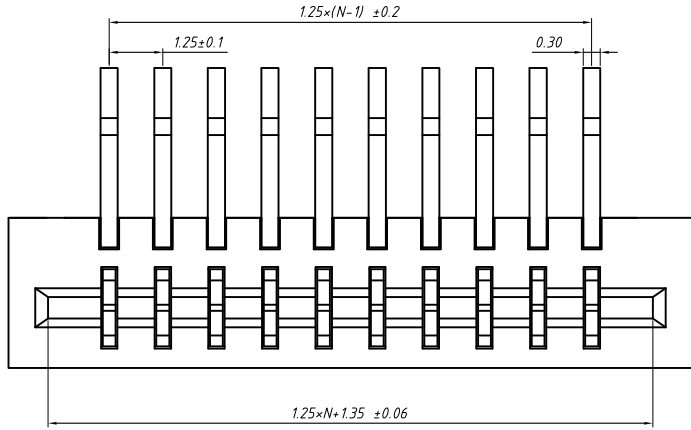
PCB Layout



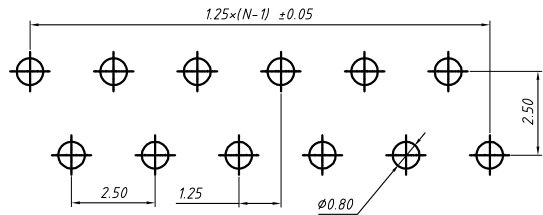
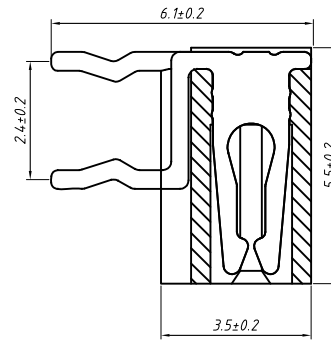
GENERAL TOLERANCE		ANGLE TOLERANCE		PROJECTION		Description:	
X	±0.15	X	±5°	UNITS	mm	CONN FFC 1.25mm,	
.X	±0.03	.X	±3°	SHEET SIZE	A4	THR 90°,Positive needle	
.XX	±0.05	.XX	±2°		KLS P/N:	L-KLS1-220E-XX-R-P	

Draw by: Date	2018-03-10
Check by: Date	2018-03-10
SCALE	SHEET OF

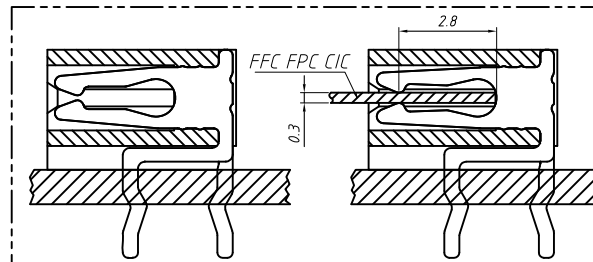
RoHS Compliant



Proper Cable



PCB Layout

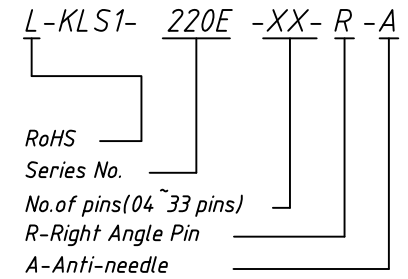


Material
Housing: LCP, UL94V-0
Contact: Phosphor Bronze, Tin Plated

Electrical
Voltage rating: 50 V
Current rating: 0.5 A
Withstanding Voltage: 250 V
Insulation resistance: 50 MΩ.Min.
Contact resistance: 20 mΩ.max.

Mechanical
Temp. Range: -25 °C ~ +85 °C

Order Information



GENERAL TOLERANCE		ANGLE TOLERANCE		PROJECTION		Description:	
X	±0.15	X	±5°	UNITS	mm	CONN FFC 1.25mm,	
.X	±0.03	.X	±3°	SHEET SIZE	A4	THR 90°,Anti-needle	
.XX	±0.05	.XX	±2°		KLS P/N:	L-KLS1-220E-XX-R-A	

Draw by: Date	2018-03-10
Check by: Date	2018-03-10
SCALE	SHEET OF



NingBo KLS ELECTRONIC CO.,LTD.